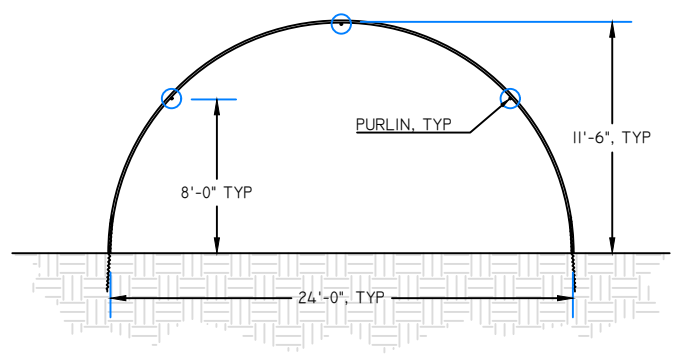
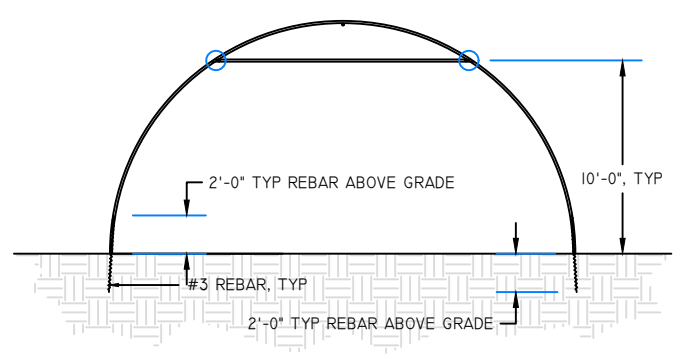


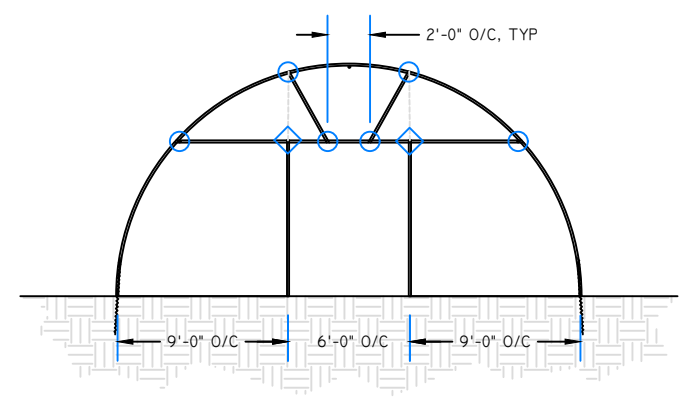
A TYPICAL DOOR ENDWALL SECTION
SCALE: NTS



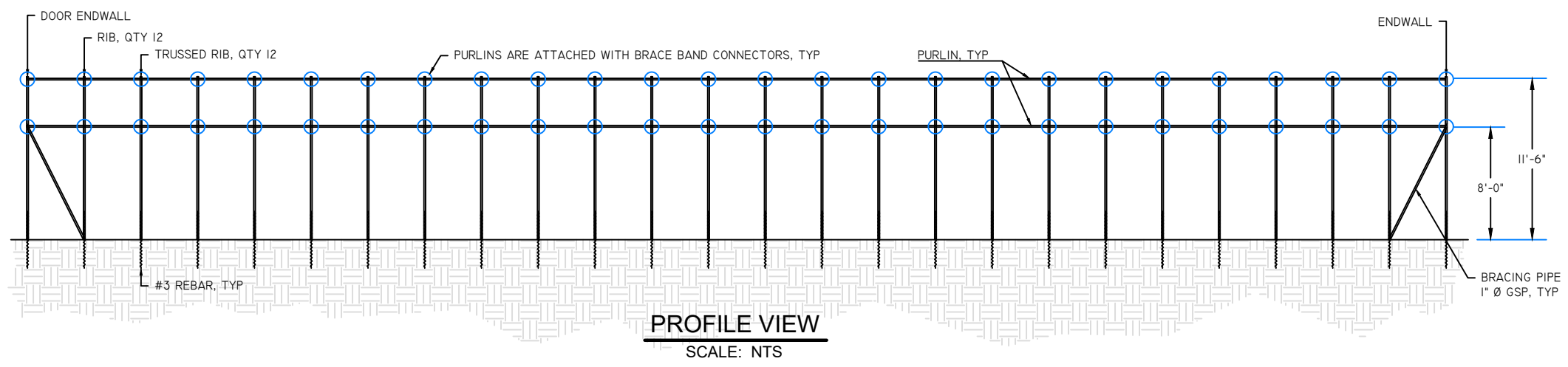
B TYPICAL RIB SECTION
SCALE: NTS



C TYPICAL TRUSSED RIB SECTION
SCALE: NTS



D TYPICAL ENDWALL SECTION
SCALE: NTS



PROFILE VIEW
SCALE: NTS

GENERAL NOTES:

1. CONTRACTOR SHALL INFORM HUMBOLDT LIGHT DEP, LLC OF ANY INCONSISTENCIES, OMISSIONS, OR ERRORS ON THE PLANS PRIOR TO PROCEEDING WITH CONSTRUCTION ACTIVITIES; OTHERWISE, IT SHALL BE DONE AS INTENDED BY THE ENGINEER.
2. THE ENGINEER AND/OR HUMBOLDT LIGHT DEP, LLC ASSUMES NO RESPONSIBILITY FOR CONSTRUCTION SUPERVISION OR DEVIATION FROM THESE PLANS WITHOUT PRIOR WRITTEN APPROVAL.
3. ALL CONSTRUCTION SHALL COMPLY WITH THE 2016 CALIFORNIA BUILDING CODE.
4. ALL STRUCTURAL PIPE SHALL BE 16 GAUGE 1-3/8" IN DIAMETER GSP (GALVENIZED STEEL PIPE) UNLESS OTHERWISE NOTED ON THE PLANS.

GROUND ANCHORING NOTES:

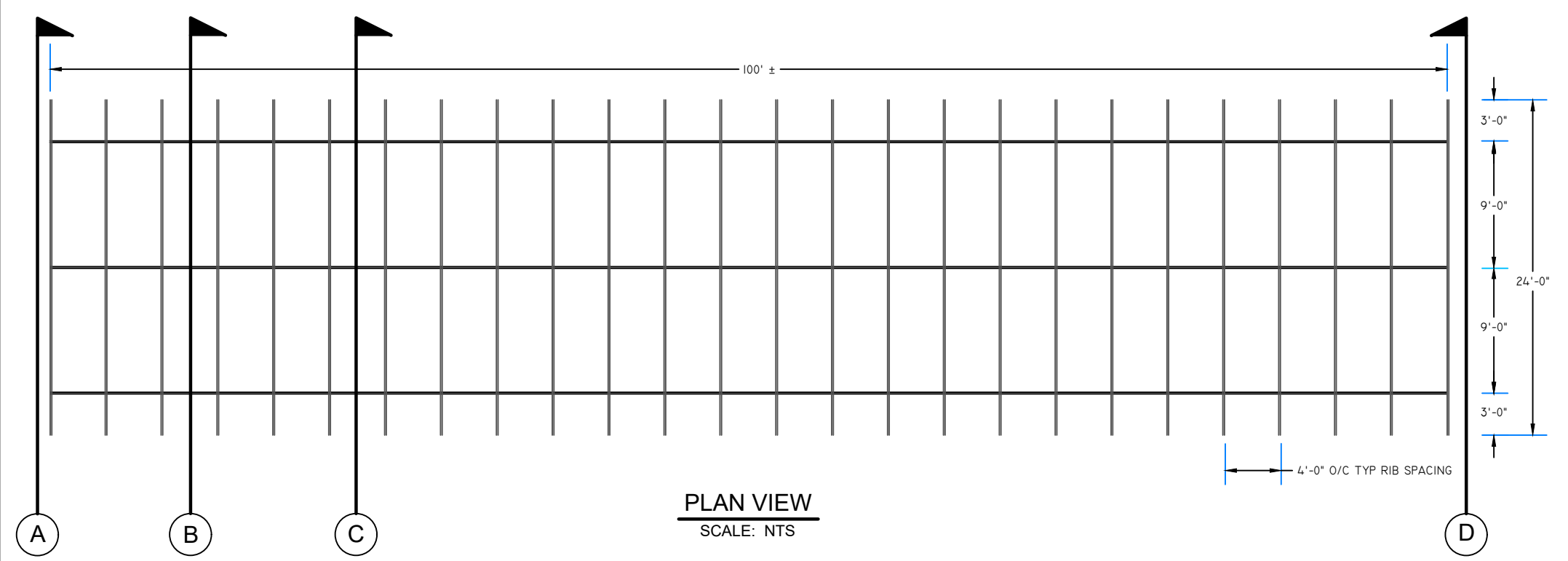
1. GROUND ANCHORING SHALL BE PLACED ON THE CENTERLINE OF THE RIB ABOVE.
2. ALL GROUND ANCHORING SHALL BEAR AGAINST FIRM NATURAL, UNDISTURBED SOIL OR CERTIFIED COMPACTED FILL. SOIL BEARING PRESSURE EQUAL TO 1500 PSF.
3. JURISTICTIONAL MINIMUM REQUIREMENTS AND LOCAL WIND, SNOW LOAD AND SEISMIC REQUIREMENTS MAY SUPERSEDE THE DESIGN CALL OUTS. CONTACT THE LOCAL BUILDING DEPARTMENT FOR MINIMUM DEPTH REQUIREMENTS.

BUILDING SPECIFICATIONS:

THIS STRUCTURE HAS BEEN DESIGNED AND DETAILED FOR THE LOADS AND CONDITIONS SHOWN ON THESE DRAWINGS. ANY ALTERATIONS TO THE STRUCTURAL SYSTEM OR REMOVAL OF ANY COMPONENT PARTS OR THE ADDITION OF OTHER CONSTRUCTION MATERIALS OR LOADS MUST BE DONE UNDER THE ADVICE AND DIRECTION OF A REGISTERED ARCHITECT, CIVIL OR STRUCTURAL ENGINEER. HUMBOLDT LIGHT DEP, LLC WILL ASSUME NO RESPONSIBILITY FOR ANY LOADS NOT INDICATED.

LEGEND

- BRACE BAND CONNECTION
- ◇ ENDRAIL CLAMP CONNECTION



PLAN VIEW
SCALE: NTS